

SOLID™ WALL MOUNTED RACKS

Patent Pending

Installation Instructions

Go to www.solidracks.com to read full SOLID™ warranty details prior to any installation.

SOLID Fastening Kit with Safety Tie Offs Included.

www.solidracks.com



STEP 1

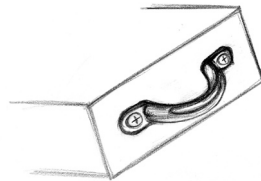
Masonry walls – Apply a spirit level to attain level installation. Using a 5.5mm drill-bit, hammer-drill pilot holes into masonry wall avoiding any soft render joints. Fit plastic wall plugs & trim flush. Screw SOLID RACKS into place with supplied self-tapping screws.

Gyprock walls – Apply a spirit level to attain level installation. Using a 3mm drill-bit, drill pilot holes centre of timber wall studs and screw SOLID RACKS into studs with supplied self-tapping screws.

If timber studs cannot be located seek professional advice for safe installation.

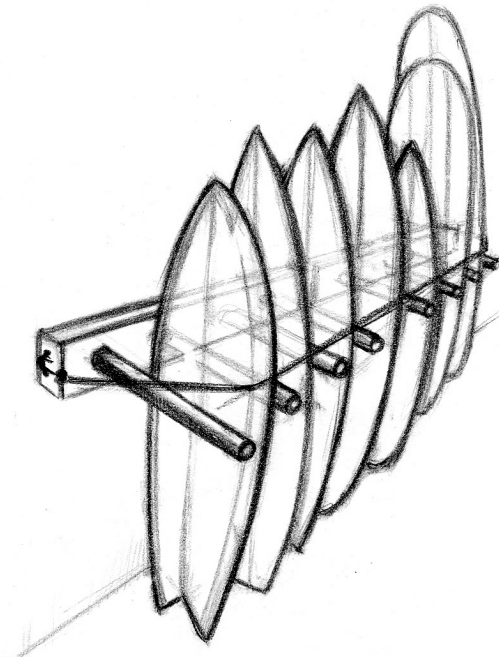
STEP 2

Plastic caps – Push supplied SOLID white plastic caps into screw heads



Tie-off safety fastenings –

SOLID RACKS stainless steel saddle fastenings are an optional extra to enable your boards to be tied off at either end for added safety, stability and maximum protection.



STEP 3

Drill small pilot holes centred off edges with a 2mm drill-bit. Screw in SOLID RACKS stainless steel saddle fastenings with supplied screws at top, face or sides of backboard. Thread your own 6mm soft cord through saddles and tie off at either end or where required. An elastic hockey strap may also be used.

Note: The soft cord or elastic hockey strap must not be tied too firmly. The optimum stringing and tying off of the cord should not be over stretched.

ATTENTION: Do not over stretch or tighten.

If doubling-up boards with detachable fins, adequate padding between boards is essential to prevent damage.

SAFETY WARNING: If SOLID RACKS are loaded above 30kgs Dynabolt or Chem-Set fastenings MUST be purchased & installed STRICTLY as directed by fastening manufacturer's instructions. Wood Appeal Pty Ltd and SOLID™ RACKS accept no liability for incomplete or in-compliant installation. SOLID™ WALL MOUNTED RACKS are not to be used by any child or adult to hang from, as exercise apparatus or for any other purpose other than storage. SOLID™ WALL MOUNTED RACKS installation points must be regularly monitored and checked to ensure the safety of your precious goods.

